



The T135CR will be designed in accordance with the following standards.

- ANSI A92.5 -2006 Boom-Supported Elevating Work Platforms
- OSHA 1926.453 Aerial Lifts
- UL583 Electric Battery Powered Industrial Trucks – EE Ratings
- NFPA 505 Fire Safety Standard for Powered Industrial Trucks
- NFPA 70 National Electrical Code
- National Fluid Power Association T.2.24.1. R1 2000 Systems Standard for Stationary Industrial Machinery

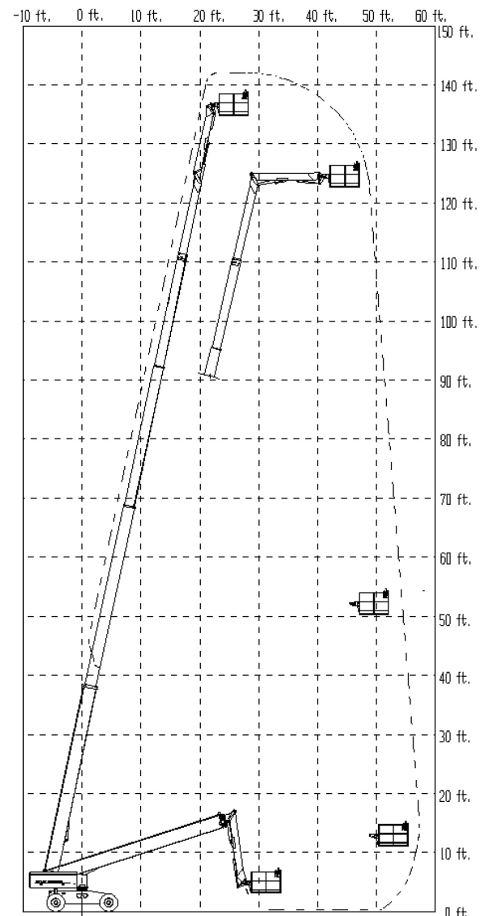
Location: Cape Canaveral, FL

T135CR CLEAN ROOM LIFT

Specifications:

T135CR	US	Metric
Working Height	141 ft	42.98 m
Platform Height	135 ft	41.15 m
Platform Capacity	750 lbs	340.2 kg
Platform Size	5 X 5 ft	1.5 X 1.5 m
Stowed Height	16 ft	4.88 m
Stowed Length	44 ft	13.41 m
Horizontal Reach	58 ft	17.68 m
Overall Width Retracted	8 ft 6 in	2.6 m
Overall Width Extended	12 ft 6 in	3.81 m
Inside Turning Radius	8 ft	2.44 m
Turret Rotation	360°	
Platform Rotation	180°	
Wheel Base	12 ft	3.05 m
Gross Weight	55,000 lbs	24,947.6 kg
Travel Speed	1.2 mph	2 mph

Range Diagram:



Dimensions:

